

KLIEVERIK / Vertex-1850 Vertex-1850T

Dye sublimation
& fixation



Vertex-1850 (T)

Multi-functional transfer printing calender

The VERTEX-1850 has been designed as an efficient start for single piece transfer printing. The calender is also capable of roll-to-roll printing. With sharp edge definition, a compact design and its oil filled heating drum, this calender is ideal for the multi-purpose print shop aiming at high quality.

The VERTEX-1850 is optimized for ease of operation and is suitable for all kind of PES textiles. The T-version is also suitable for natural fibre textiles in combination with Texcol paper or the Mimaki Trapis combi. Tension control for the papers (transfer paper and protection paper) is set by air pressure. Winding of the textile is done on a low tension winder which provides uniformity from the first to the last meter. A state of the Art Touch screen panel provides easy control by the operator.

It is a typical Klieverik; robust design offering a long life time at low operating cost, the best oil-based heating system for very high temperature consistence and an ingenious belt tracking system for first time right production.

- > Brilliant colours
- > High print definition
- > Reproducibility

VERTEX-1850T

Choose the multi-functional VERTEX-1850T for superior performance and reliability in textile printing on natural fibers. VERTEX-1850T is a special version of this compact calender model, especially adapted for printing on cotton and other natural fibers using the Mimaki Trapis printer and Texcol paper. For roll-to-roll production the machine has a maximum width of 1650mm / 64,9 inch.

VERTEX-1850 (T)

Multi-functional transfer printing calender

Technical specifications.

Dimensions / weight

Machine width	2688 mm/105.8"
Machine length	1393 mm/54.8"
Machine height	1400 mm/55.1"
Machine weight	± 1100 kg

Diameter / width

Heating cylinder diameter	195 mm/7.7"
Maximum working width	1650 mm/64.9"
Substrate unwind diameter	250 mm/9.8"
Substrate rewind diameter	250 mm/9.8"
Maximum transfer paper width	1650 mm/64.9"
Transfer paper unwind diameter	250 mm/9.8"
Transfer paper rewind diameter	250 mm/9.8"
Maximum protective paper width	1680 mm/66.1"
Protective paper unwind diameter	250 mm/9.8"
Protective paper rewind diameter	250 mm/9.8"
Internal core diameter	76 mm/3"

Table / fume extractor

Length infeed table	635 mm/25"
---------------------	------------

T version

Pressure roller

Blanket

Printing blanket width	1800 mm/70.9"
Printing blanket length	2100 mm/82.7"
Printing blanket thickness	6 mm/0.24"
Arc of contact blanket-cylinder	198°

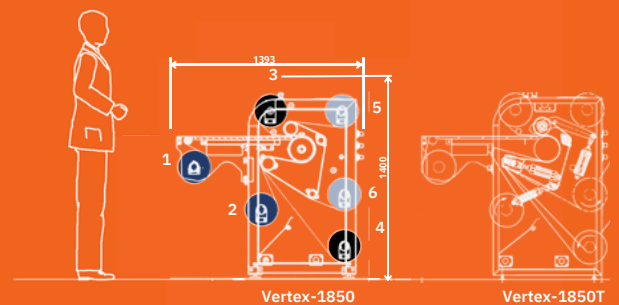
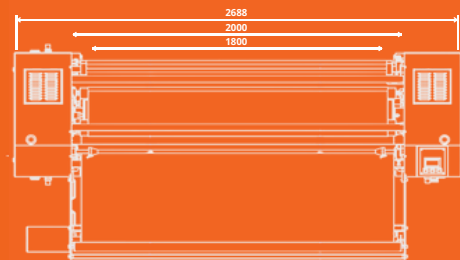
Temperature / speed / air / pressure / oil

Maximum temperature	220°C
Mechanical speed	0.2-1.0 m/min
Linear speed (30 sec. dwell)	0.6 m/min
Air consumption	0.1 Nm ³ /hr
Air	6 bar max./G 1/4"
Oil capacity heating cylinder	37 l.

Electrical information

	208 V	400 V
Total installed power kVA	10 kVA	10 kVA
Amps required at 208/400 V	26 Amp.	16 Amp.
Power heating	10 kW	10 kW
E-consumption (estimate)	9 kW	9 kW
Voltage	208 V	400 V
Number of phases	3ph/N	3ph/N
Frequency	50/60 Hz	50/60 Hz

Layout



SINGLE PIECE TRANSFER PRINTING & ROLL-TO-ROLL TRANSFER PRINTING

- 1 TRANSFER PAPER UNWIND
- 2 TRANSFER PAPER REWIND
- 3 TEXTILE UNWIND
- 4 TEXTILE REWIND
- 5 PROTECTION PAPER UNWIND
- 6 PROTECTION PAPER REWIND

Would you like to know more
about the VERTEX 1850 multi-
functional transfer printing calender?
Please contact us:

+31 541 511155 / info@klieverik.com