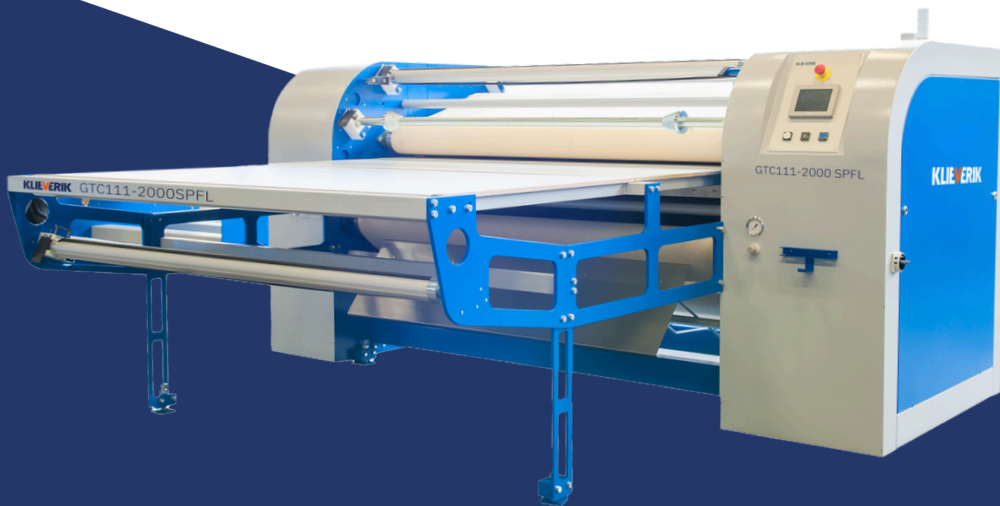


# KLIEVERIK / GTC111-2000 SPFL

Dye sublimation  
& fixation



## GTC111-2000 SPFL

### Flowline transfer printing calender

The GTC-SP Flowline has been designed for the efficient production of single piece transfer printing, but is also capable of cut-sheet repeat jobs or roll to roll transfer printing. With sharp edge definition, high processing speeds, less waste and fewer re-prints, this calender is designed for maximizing your profitability.

The machine is optimised for ease of operation and is suitable for all kind of PES textiles. The black pieces are laid down on the infeed table and transported to the back of the calender. Here the printed pieces can easily be gathered and sorted by size and print. Standard with long table. Extended table are available at request. Tension control for the papers is set by air pressure. Winding of the textile roll is done on a low tension winder which provides uniformity from the first to the last meter. A state of the art touch screen panel provides easy control

It is a typical Klieverik; robust design offering a long life time at low operating cost, the best oil-based heating system for very high temperature consistence and an ingenious belt tracking system for first time right production.

- > Brilliant colours
- > High print definition
- > Reproducibility

**When speed and quality are paramount, the Klieverik GTC111-2000 SPFL is the obvious choice for both single piece and roll to roll production. Working width 1800 mm. The drum is electrically heated with oil as the carrier medium for the highest quality print and reproducible products.**

# GTC111-2000 SPFL

## Flowline transfer printing calender

### Technical specifications.

#### Dimensions / weight

Machine width	3156 mm/124.3"
Machine length	3677 mm/144.8"
Machine height	1457 mm/57.4"
Machine weight	± 2600 kg

#### Diameter / width

Heating cylinder diameter	500 mm/19.7"
Maximum working width	1800 mm/70.9"
Substrate unwind diameter	250 mm/9.8"
Substrate rewind diameter	250 mm/9.8"
Maximum transfer paper width	1800 mm/70.9"
Transfer paper unwind diameter	250 mm/9.8"
Transfer paper rewind diameter	250 mm/9.8"
Maximum protective paper width	1830 mm/72"
Protective paper unwind diameter	250 mm/15.8"
Protective paper rewind diameter	250 mm/9.8"
Internal core diameter	76 mm/3"

#### Table / fume extractor

Length infeed table SPFL Length	160 cm/63"
extended table SPFL	100 cm/39.4"
Outer diameter connection fume extractor	70 mm/2.76"

#### Blanket

Printing blanket width	2000 mm/78.7"
Printing blanket length	4550 mm/179.1"
Printing blanket thickness	7 mm/0.28"
Arc of contact blanket-cylinder	2100

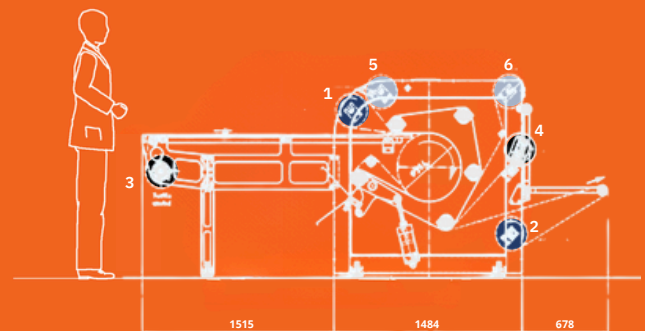
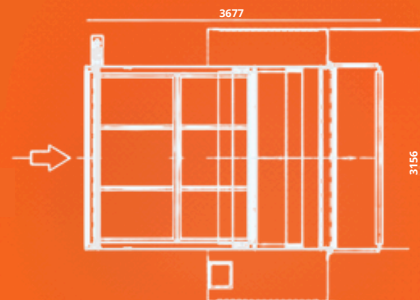
#### Temperature / speed / air / pressure / oil

Maximum temperature	240° C
Mechanical speed	0.4-5.0 m/min
Linear speed (30 sec. dwell)	1.85 m/min
Air consumption	0.1 Nm <sup>3</sup> /hr
Air	6 bar max./G 1/4"
Oil capacity heating cylinder	215 l.

#### Electrical information

Total installed power kVA	38 kVA
Amps required at 400 V	55 Amp.
V Power heating	36 kW
Power main drive	0.55 kW
Voltage	400 V
Number of phases	3ph
Frequency	50/60 Hz

### Layout



#### SINGLE PIECE TRANSFER PRINTING & ROLL-TO-ROLL TRANSFER PRINTING

- 1 TRANSFER PAPER UNWIND
- 2 TRANSFER PAPER REWIND
- 3 TEXTILE UNWIND
- 4 TEXTILE REWIND
- 5 PROTECTION PAPER UNWIND
- 6 PROTECTION PAPER REWIND

**Would you like to know more**  
about the GTC111-2000 SPFL  
transfer printing calender?  
Please contact us:

+31 541 511155 / [info@klieverik.com](mailto:info@klieverik.com)