

GTC101-3500 SPFL

FLOWLINE TRANSFER PRINTING CALENDER

The GTC101-3500 SPFL has been designed for the efficient production of large (and small) format single piece transfer printing, but is also capable of cut-sheet repeat jobs or roll-to-roll transfer printing, which makes this calender one of a kind. With sharp edge definition, high processing speeds, less waste and fewer re-prints, this calender is designed for maximizing your profitability.

The machine is optimized for ease of operation and is suitable for all kind of PES textiles. The unprinted pieces of fabric are placed on the infeed table and transported to the back of the calender. Here the printed pieces can easily be gathered and sorted by size and print. Longer tables are available at request. Tension control for the papers is set by air pressure. Winding of the textile roll is done on a low tension winder which provides uniformity from the first to the last meter. A state of the Art Touch screen panel provides easy control.

It is a typical Klieverik; robust design offering a long life time at low operating cost, the best oil-based heating system for very high temperature consistency and an ingenious belt tracking system for first time right production.

- ▶ Brilliant colours
- ▶ High print definition
- ▶ Reproducibility



GTC101-3500 SPFL

GTC101-3500 SP FLOWLINE TRANSFER PRINTING CALENDER

Transfer printing calender for large and small single pieces of textile and roll-to-roll production. Working width 3200 mm. The drum is electrically heated with oil as the carrier medium for the highest quality print and reproducible products. The machine is equipped with textile winding shaft, so very suitable for roll-to-roll printing as well.

CHARACTERISTICS:

- Roller width 3500 mm, working width 3200 mm
- Drum diameter 365 mm
- Mechanical speed 0,3- 4 m/min
- Infeed table (table length \pm 150 cm/59.1"), in height adjustable and with paper protection guard
- Guiding bars for easy paper feeding and single sheet production
- Out-feed section that can be folded away for easy access when replacing rolls
- Protection paper unwind and winding position incl. tensioning device and shafts
- Transfer paper unwind and winding position incl. tensioning device and shafts
- Driven low tension textile winder, for winding tension sensitive or stretch textiles. Consisting of:
 - Low tension fabric unwind incl. shaft with cones
 - Felt covered contact roller
 - Frequency controlled electrical drive
 - Differential speed setting +/- for contact roller; free loop winding possible
- Long and high quality Nomex belt
- Stable belt guidance system to prevent movement of the material
- Short heating up time
- Pneumatic brakes
- Touch screen operation, 5.7 inch colour touch screen panel for enhanced machine operation and remote monitoring.

THE PANEL OFFERS:

- Recipe creation, storage and retrieval for defined reproducible process settings
- Display of the significant selected parameters
- Remote monitoring from PC/Tablet or Smartphone via Internet connection
- Password protection/operator mode
- Cooling down timer

FUME EXTRACTOR

- Removable exhaust bar underneath the table
- Integrated ventilator
- Exhaust pipe on top of the calenders side panel

TECHNICAL SPECIFICATIONS

DIMENSIONS / WEIGHT

Machine width	4656 mm/183.3"
Machine length	3085 mm/121.5"
Machine height	1460 mm/57.5"
Machine weight	\pm 3500 kg

DIAMETER / WIDHT

Heating cylinder diameter	365 mm/14.4"
Maximum working width	3200 mm/126"
Substrate unwind diameter	250 mm/9.8"
Substrate rewind diameter	250 mm/9.8"
Maximum transfer paper width	3200 mm/126"
Transfer paper unwind diameter	250 mm/9.8"
Transfer paper rewind diameter	250 mm/9.8"
Maximum protective paper width	3230 mm/127.2"
Protective paper unwind diameter	250 mm/9.8"
Protective paper rewind diameter	250 mm/9.8"
Internal core diameter	76 mm/3"

TABLE / FUME EXTRACTOR

Lenght infeed table SP FL	150 cm/59.1"
Lenght extended table SP FL	N/A
Outer diameter connection fume extractor	70 mm/2.76" (2x)

BLANKET

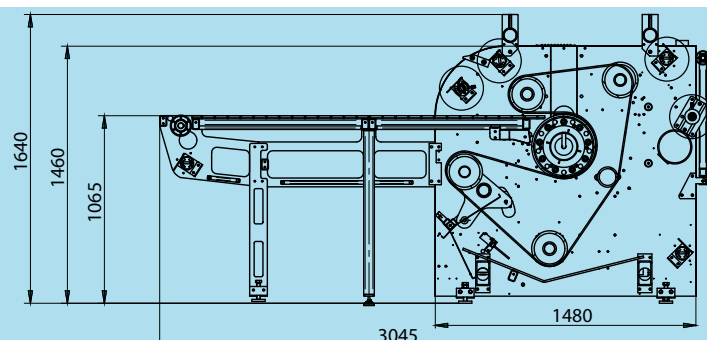
Printing blanket width	3400 mm/133.9"
Printing blanket length	4550 mm/179.1"
Printing blanket thickness	7 mm/0.28"
Arc of contact blanket-cylinder	225°

TEMPERATURE/SPEED/AIR/PRESSURE/OIL

Maximum temperature	240°C
Mechinal speed	0,3-4 m/min
Air consumption	0,1 Nm ³ /hr
Air	6 bar max./G 1/4"
Maximum linear pressure	-
Oil capacity heating cylinder	260 l.

ELECTRICAL INFORMATION

Amps req. at 400 V input volt. (nom)	73 Amp.
Total power	46 kW
Power heating	45 kW
Voltage	400 V
Number of phases	3ph
Frequency	50 Hz



KL_LFT_GTC101-3500SPFL_202201