

# POWDERSCATTERING DEVICE

## PSD 2000

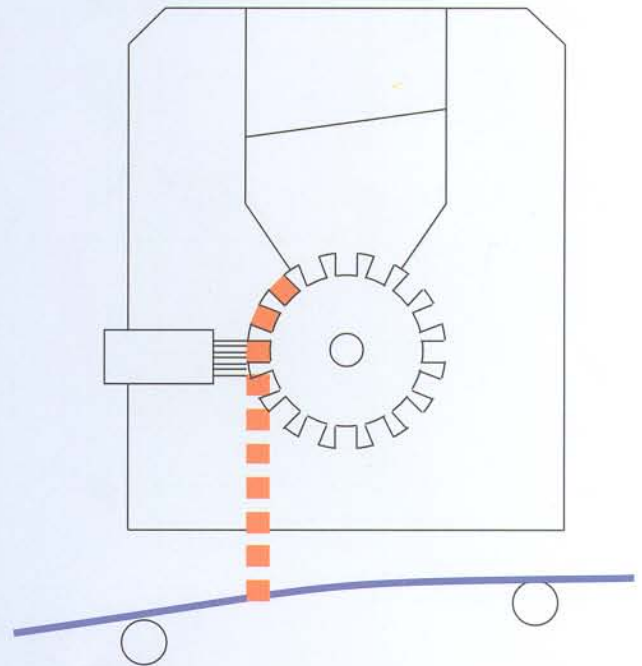
*Despite the numerous suppliers of powder scattering devices, Klieverik decided to develop its own powder scattering device with state of the art technology and even more important, with the right price/performance ratio.*

### Technical specifications:

- working width 1800 mm\*
- roller width 2000 mm
- powdersize 80 - 400  $\mu$  \*\*
- contents powder container 140 l./m<sup>1</sup>
- maximum powder coating weight 2000 gr/min per meter width  
(at speed of 40 m./min. max supply is 50 gr./m<sup>2</sup>)
- optical powder level detection (minimal and maximal level indicated)
- maintenance free AC drive with frequency drive of oscillating brush

### General

- moving parts separated and well protected from dust, so **non or minimal maintenance**. For the same reason less wearing and efficiency loss due to time costly cleaning.
- due to **good accessibility** to brush and scattering roller - easy cleaning, less injuring danger and less overhaul and maintenance work.
- oscillating brush is fast pneumatically removable. **So easy to operate** with recycling powder or powder mixed (for technological purposes) with fibres.
- powder coating weight adjustable in gr/m<sup>2</sup> - easy manual setting - digital reading.
- powder coating weight after setting independent from line speed.
- easy width adjustments with clear reading.



\* all widths up to 3,2 meters (in one line) are possible

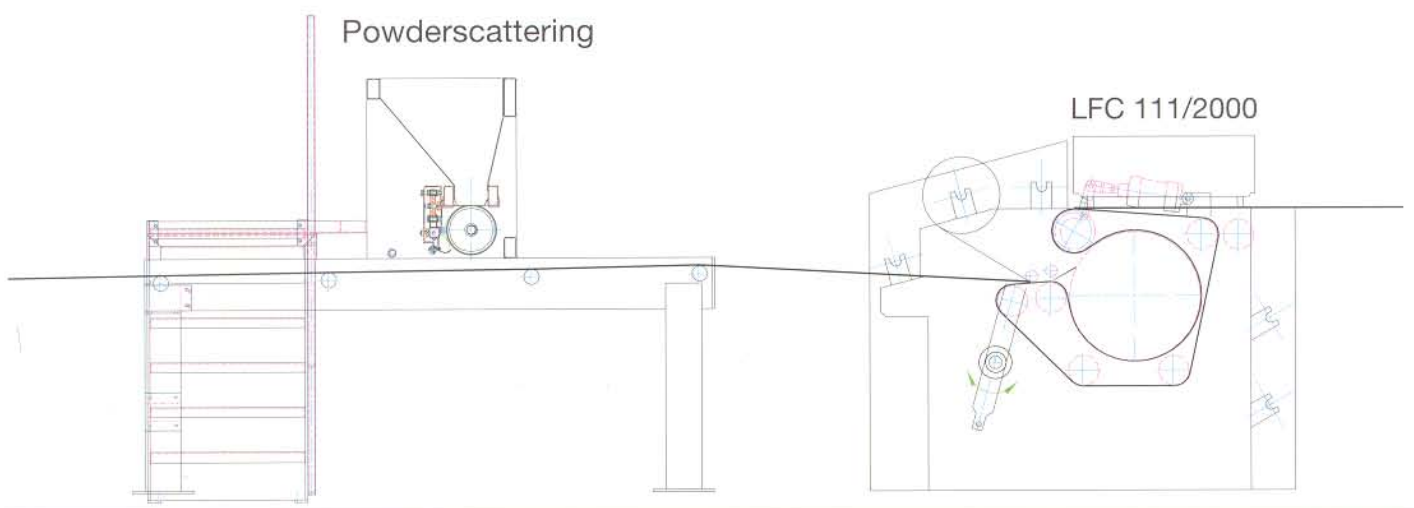
\*\* if powder size 80 - 400  $\mu$  is not within range, the scattering roller can easily and fast (10 minutes) be changed due to clever bearing construction. Roller will automatically centre and there is no need of re-adjustment of oscillating brush.



## POWDERSCATTERING DEVICE PSD 2000

All sorts of options possible, such as:

- semi-automatic filling device.
- IR pre-sintering stand with low heat contents construction so “cool down” less than a second in case of (emergency) stop.
- support construction with platform and stairs for easy access to powder scattering unit.
- driven and synchronised conveyer belt for fabrics that need tension poor transport.
- collecting bin for recycling of unused powder.



**Klieverik**  
OLDENZAAL - HOLLAND

**Klieverik Heli B.V.**  
Edisonstraat 8  
7575 AT Oldenzaal  
Holland  
Telephone: +31 541 511155  
Fax+31 541 520545  
[info@klieverik.com](mailto:info@klieverik.com)  
[www.klieverik.com](http://www.klieverik.com)